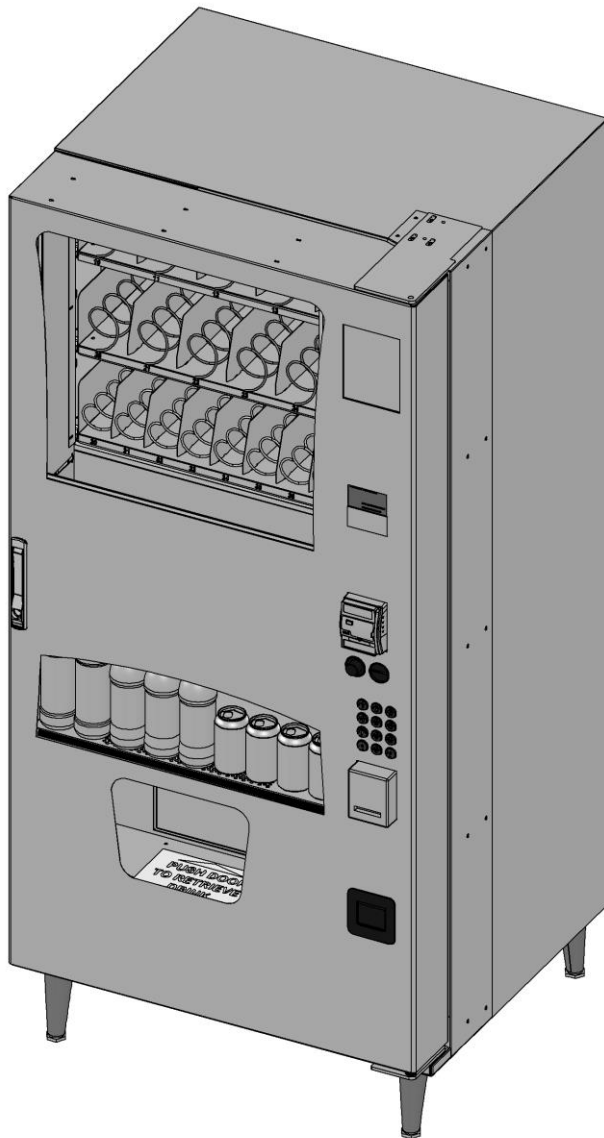




FUTURA COMBO VENDOR



MODEL 3589 PARTS MANUAL

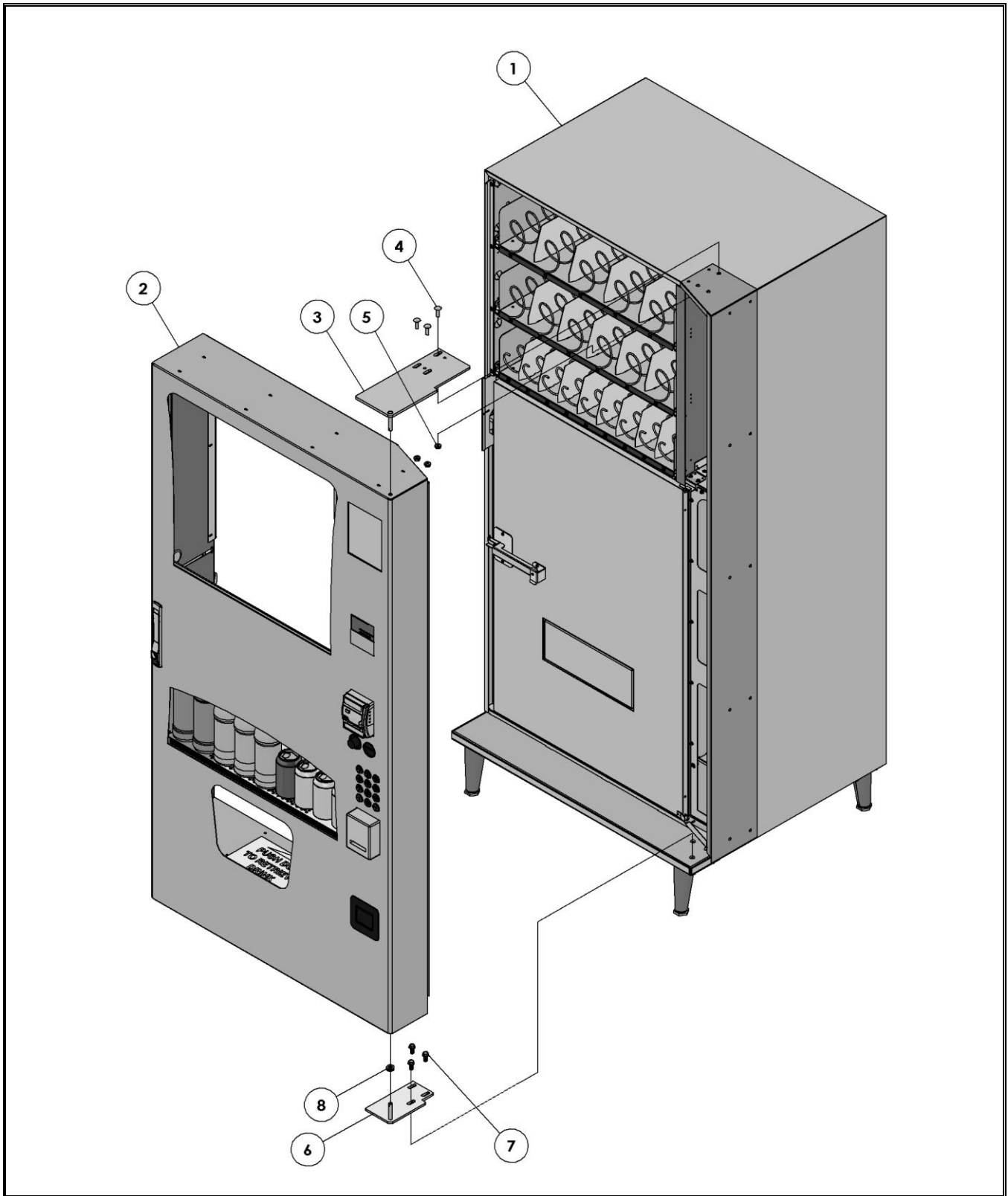
VendNet™

165 North 10th Street
Waukee, IOWA 50263-0488
United States of America

TABLE OF CONTENTS

FINAL ASSEMBLY	1
<i>FINAL ASSEMBLY PARTS LIST</i>	<i>2</i>
CABINET ASSEMBLY	3
<i>CABINET ASSEMBLY PARTS LIST</i>	<i>6</i>
CABINET SUB – ASSEMBLY	8
<i>CABINET SUB - ASSEMBLY PARTS LIST</i>	<i>8</i>
POWER BOX ASSEMBLY	9
<i>POWER BOX ASSEMBLY PARTS LIST</i>	<i>10</i>
I-VEND ASSEMBLY	11
<i>I-VEND ASSEMBLY PARTS LIST</i>	<i>11</i>
TRAY ASSEMBLY – 5 SELECT	12
<i>TRAY ASSEMBLY- 5 SELECT PARTS LIST</i>	<i>12</i>
TRAY ASSEMBLY – 6 SELECT	13
<i>TRAY ASSEMBLY- 6 SELECT PARTS LIST</i>	<i>13</i>
TRAY ASSEMBLY – 9 SELECT	14
<i>TRAY ASSEMBLY- 9 SELECT PARTS LIST</i>	<i>14</i>
TRAY ASSEMBLY – CAN/BOTTLE (SELECTION 40)	15
<i>TRAY ASSEMBLY- CAN/BOTTLE (SELECTION 40) PARTS LIST</i>	<i>15</i>
HC TRAY ASSEMBLY	16
<i>HC TRAY ASSEMBLY PARTS LIST</i>	<i>16</i>
TRAY ASSEMBLY – CAN/BOTTLE (SELECTION 50)	17
<i>TRAY ASSEMBLY- CAN/BOTTLE (SELECTION 50) PARTS LIST</i>	<i>17</i>
INNER DOOR ASSEMBLY	18
<i>INNER DOOR ASSEMBLY PARTS LIST</i>	<i>19</i>
DELIVERY DOOR ASSEMBLY	20
<i>DELIVERY DOOR ASSEMBLY PARTS LIST</i>	<i>20</i>
DOOR ASSEMBLY	21
<i>DOOR ASSEMBLY PARTS LIST</i>	<i>22</i>
CONTROL BOARD MOUNT REPLACEMENT PARTS	24
(FOR MACHINES WITH S/N XXXXX & LOWER)	24
<i>CONTROL BOARD MOUNT PARTS LIST</i>	<i>24</i>
LED ASSEMBLY - DISPLAY	25
<i>LED ASSEMBLY - DISPLAY PARTS LIST</i>	<i>25</i>
LED ASSEMBLY - TOP	26
<i>LED ASSEMBLY - TOP PARTS LIST</i>	<i>26</i>
REFRIGERATION ASSEMBLY	27
<i>REFRIGERATION ASSEMBLY PARTS LIST</i>	<i>27</i>

FINAL ASSEMBLY



FINAL ASSEMBLY PARTS LIST

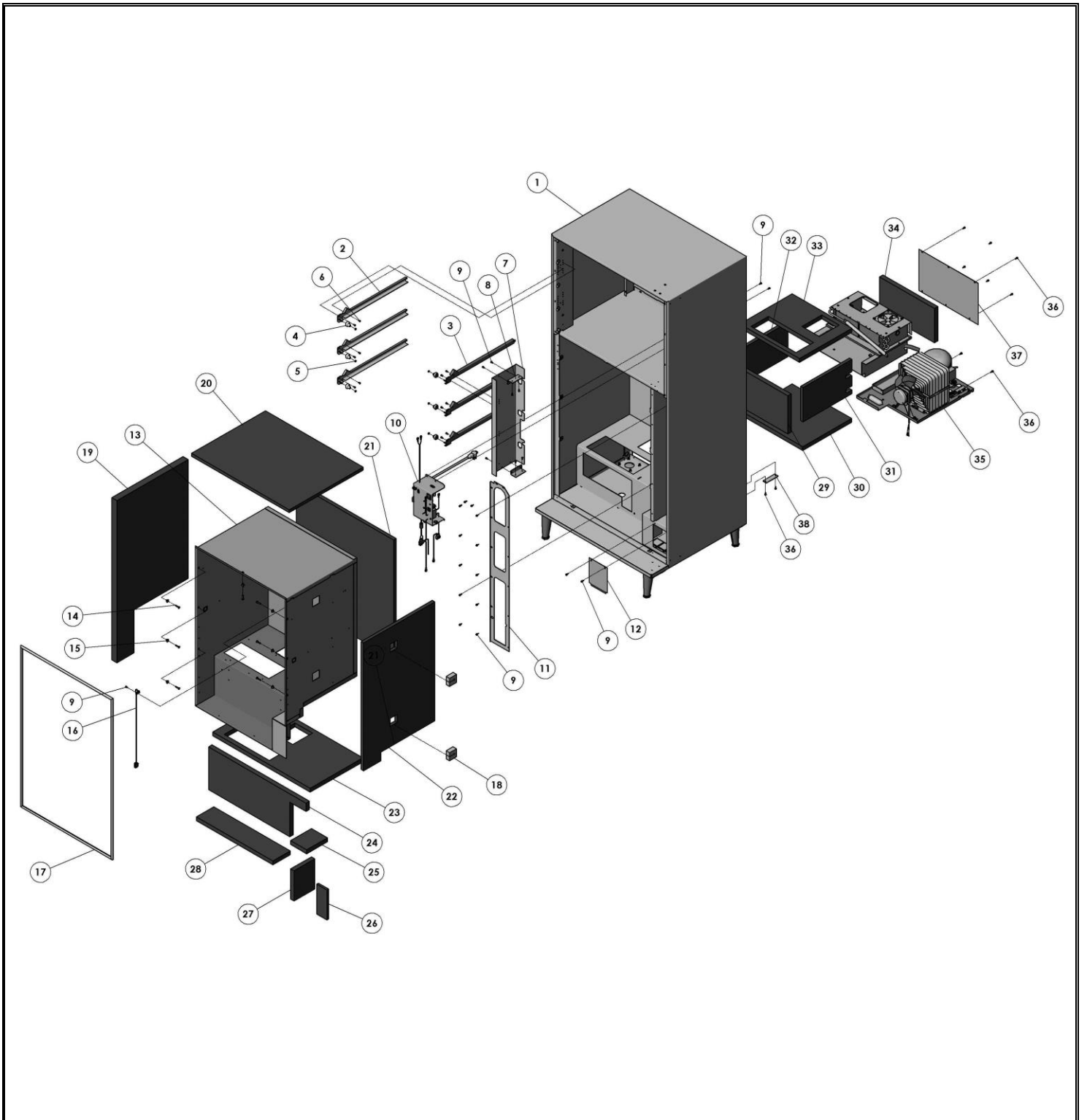
ITEM NO.	PART NUMBER	COMBO VENDOR	DESCRIPTION
1	(SEE PAGE #3)	1	CABINET ASSEMBLY
2	(SEE PAGE #21)	1	DOOR ASSEMBLY
3	1218798.000330	1	TOP HINGE ASSEMBLY
4	8810013	3	5/16-18 X 1 CARR. BOLT
5	8810015	3	5/16-18 FLANGE LOCK NUT
6	1218799.000330	1	BOTTOM HINGE ASSEMBLY
7	8801388	3	5/16-18X3/4 HWH TYPE 23
8	4050767	7	3/8 FLAT WASHER-NYLON BLK
LIST OF PARTS NOT SHOWN			
9	4223074.001	1	SERVICE MANUAL FUTURA
† 3 PIECE SILVER DOOR DECALS			
10	4223606	1	SILVER HEADER STYLING DECAL
11	4223607.001	1	SILVER MIDDLE STYLING DECAL
12	4223608	1	SILVER BOTTOM STYLING DECAL
† 3 PIECE GATORADE DOOR DECALS			
13	4223432.085	1	GATORADE HEADER DECAL
14	4223432.086	1	GATORADE MIDDLE DECAL
15	4223432.087	1	GATORADE BOTTOM DECAL
§ 1 PIECE COMPLETE DOOR DECAL			

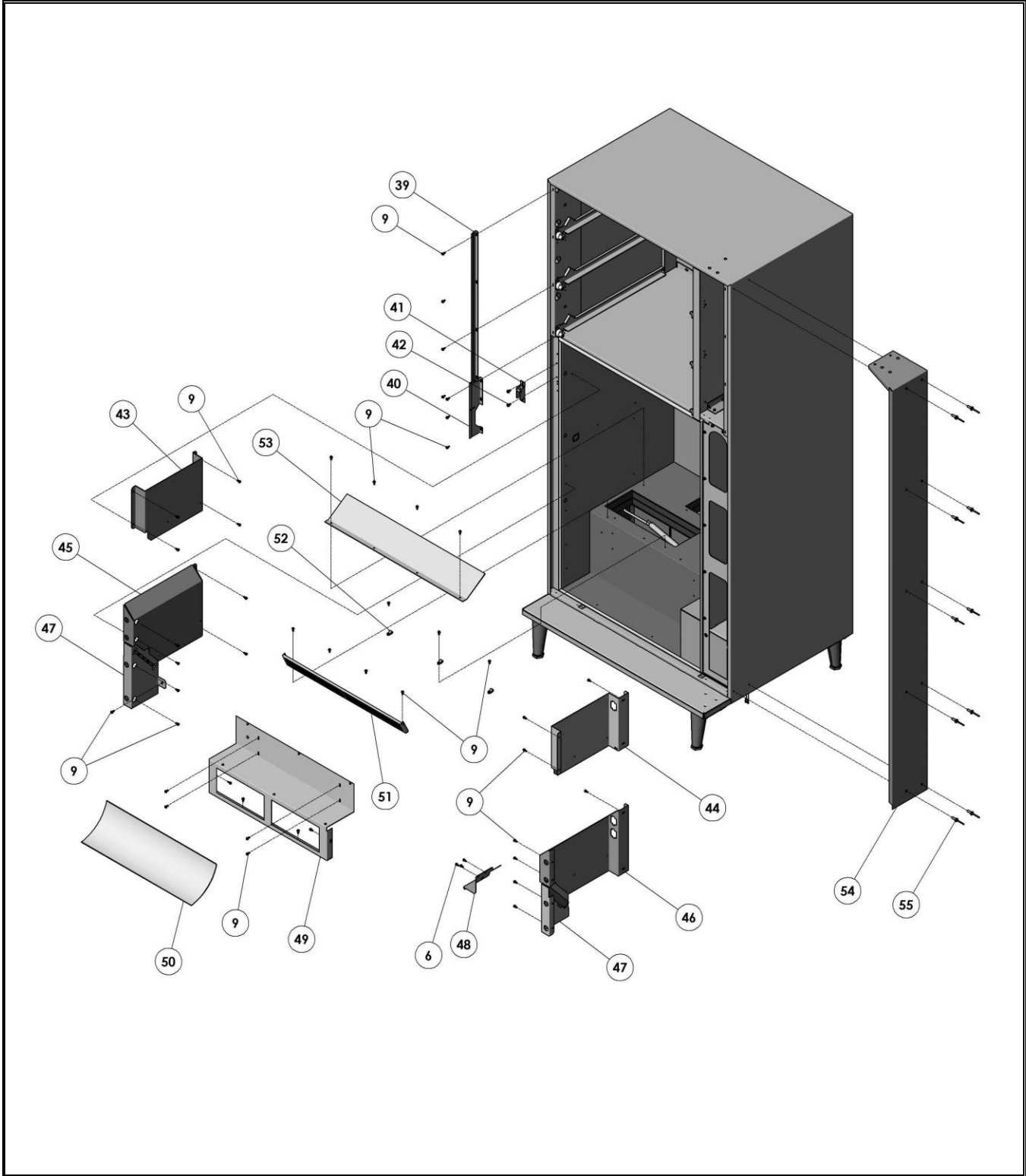
† - NOT ALL VARIANT 3 PIECE DOOR DECALS ARE LISTED HERE. PLEASE CALL 'PARTS' DEPARTMENT FOR UNLISTED 3 PIECE DOOR DECAL PART NUMBERS.

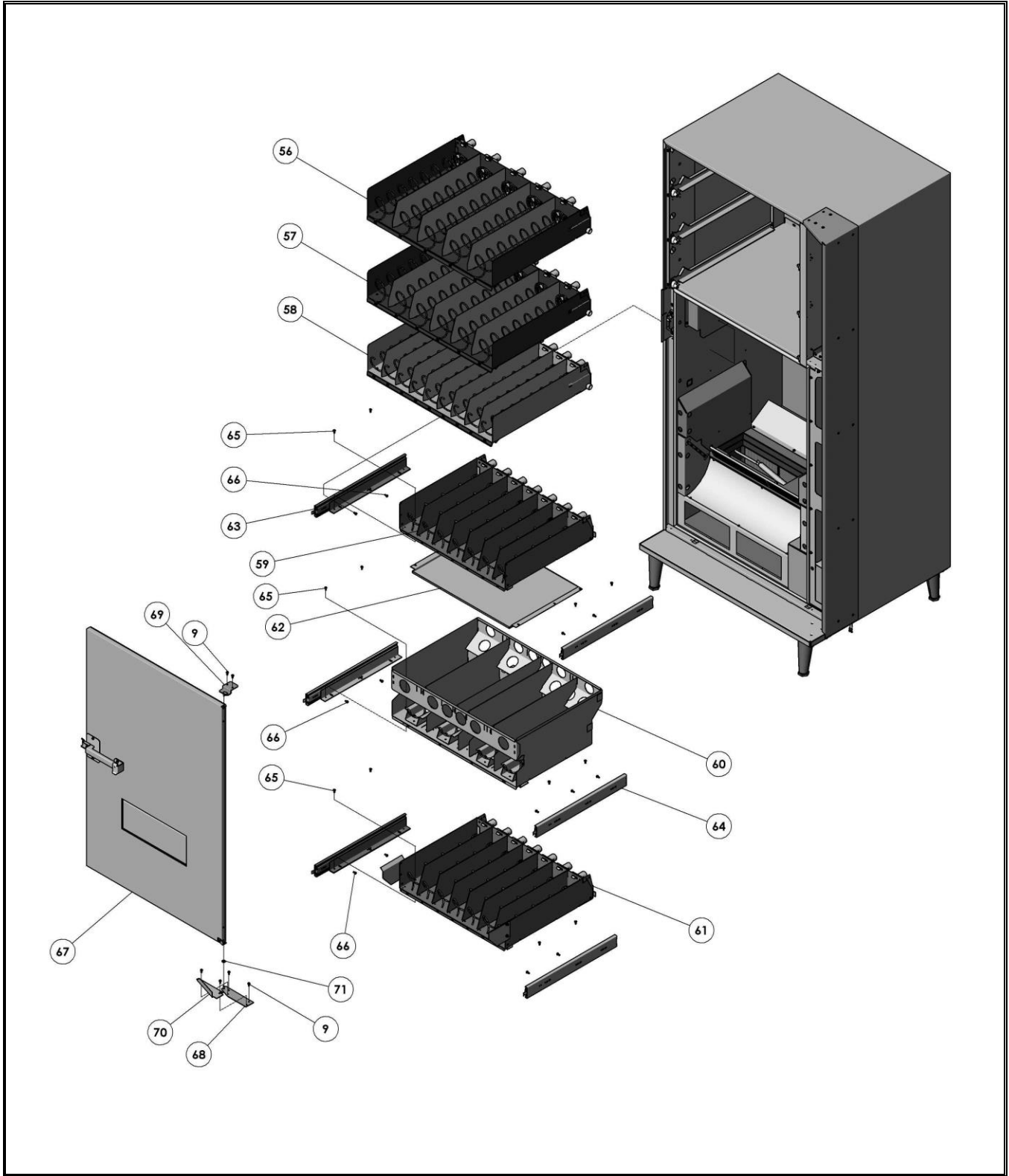
§ - PLEASE SEE BELOW TABLE FOR 1 PIECE DOOR DECAL PART NUMBERS WITH RESPECT TO MACHINE SERIAL NUMBER. NOT ALL VARIANT 1 PIECE DOOR DECAL PART NUMBERS ARE LISTED HERE. THE MACHINE SERIAL NUMBERS DOES NOT MATTER FOR DOOR DECAL PART NUMBERS THAT ARE NOT LISTED IN BELOW TABLE. PLEASE CALL 'PARTS' DEPARTMENT FOR UNLISTED 1 PIECE DOOR DECAL & CABINET SIDE DECAL PART NUMBERS.

DOOR DECAL PART NUMBERS FOR MACHINES WITH SERIAL # XXXXX AND LOWER	DOOR DECAL PART NUMBERS FOR MACHINES WITH SERIAL # XXXXX AND HIGHER
4223432.096 IS REPLACED BY	XXXXXX
4223432.093 IS REPLACED BY	XXXXXX
4223738 IS REPLACED BY	XXXXXX
4223432.199 IS REPLACED BY	XXXXXX
4223432.213 IS REPLACED BY	XXXXXX
4223432.282 IS REPLACED BY	XXXXXX
4223432.315 IS REPLACED BY	XXXXXX

CABINET ASSEMBLY





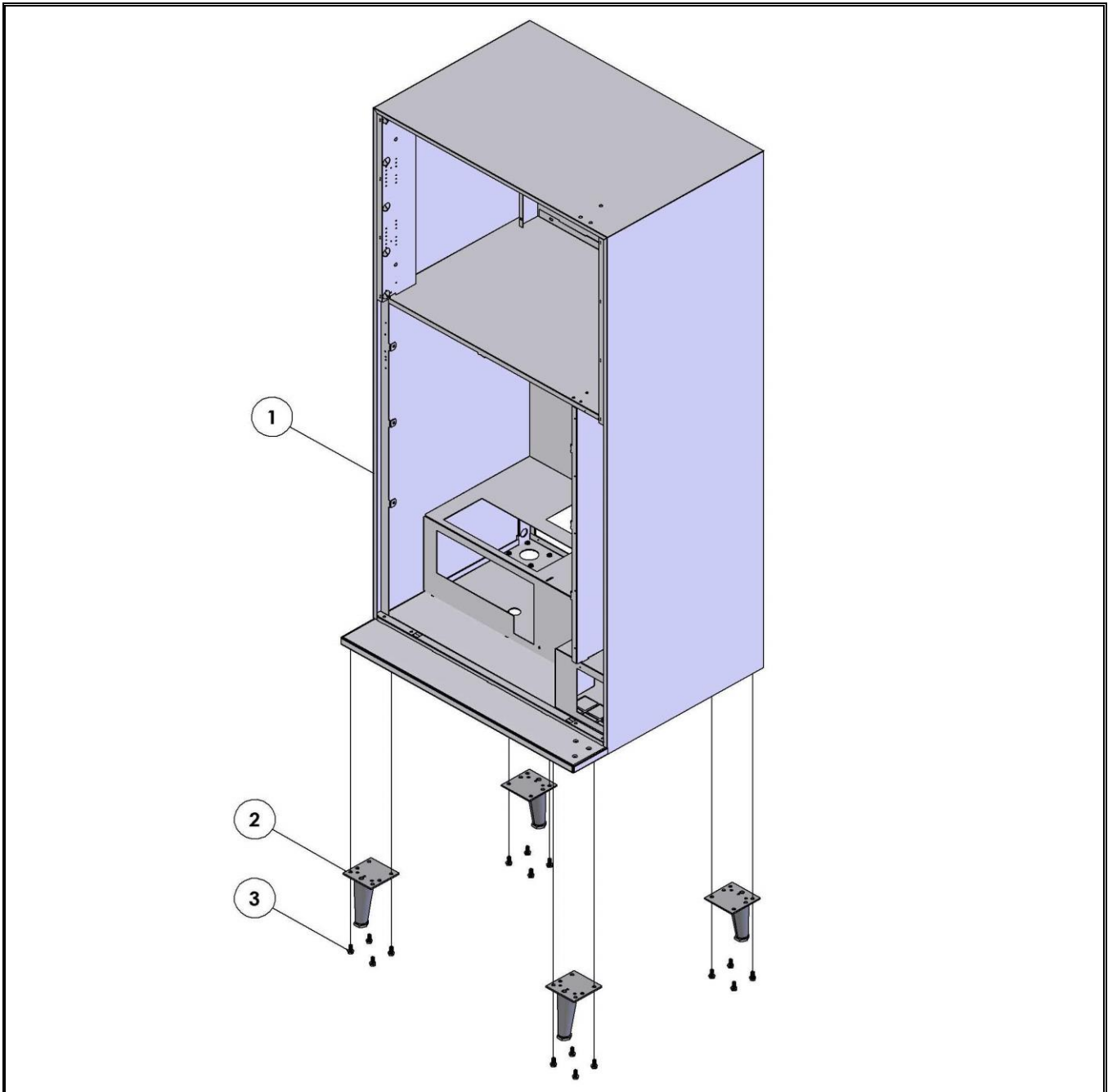


CABINET ASSEMBLY PARTS LIST

ITEM NO.	PART NUMBER	CABINET ASSEMBLY	DESCRIPTION
1	(SEE PAGE # 8)	1	CABINET SUB-ASSEMBLY
2	4217737.003330	3	TRAY RAIL W/STUDS
3	4217737.002330	3	TRAY RAIL W/STUDS
4	4217739	6	RAIL GLIDE
5	4050513	6	#8-32 TWIN WHIZ LOCK NUT
6	4050239.001	15	#8-32X3/8 PHL PH TYPE 23 - BLK
7	4223569.000330	1	RIGHT CABINET PARTITION
8	4223567	2	PARTITION ANGLE
9	4223541	78	#8-32 X 3/8 HWH TYPE 23
10	1219271	1	POWER BOX ASSEMBLY (SEE PAGE # 9)
11	4223042.000330	1	CABINET RIGHT STIFFENER
12	4218108.000330	1	FAN HOUSING COVER
13	1219251	1	LINER ASSEMBLY
14	7200468.001	7	#10-12X1 PHIL TH TYPE - A
15	4202188	7	SNAPIN PLASTIC SPACER
16	4214684	1	TEMP. SENSOR
17	4217914	1	INNER DOOR GASKET
18	4223341	2	HARNESS INSULATION BLOCK
19	4217798.004	1	INSULATION
20	4217798.006	1	INSULATION
21	4217798.005	1	INSULATION
22	4223079	1	INSULATION
23	4217798.019	1	INSULATION
24	4217798.022	1	INSULATION
25	4217798.016	1	INSULATION
26	4217798.018	1	INSULATION
27	4217798.017	1	INSULATION
28	4217798	1	INSULATION
29	4217798.021	1	INSULATION
30	4217798.010	1	INSULATION
31	4217798.012	1	INSULATION
32	4217798.007	1	INSULATION
33	4217798.020	1	INSULATION
34	4217798.013	1	INSULATION
35	1218837	1	REFRIGERATION ASSEMBLY (SEE PAGE # 27)
36	4050202.001	10	#8-18X1/2 PHIL HWH TEK/BLK
37	4217968.000330	1	EVAPORATOR BACK COVER
38	4221994	1	HOLE BLOCKER
39	4221990	1	ANTI CHEAT UPPER
40	4221996	1	ANTI CHEAT LOWER
41	1219189	1	LATCH MOUNT ASSEMBLY
42	4223542	2	#10-32 X 3/8 HWH TYPE 23
43	4223034	1	LEFT SIDE PANEL UPPER
44	4223035	1	RIGHT SIDE PANEL UPPER

ITEM NO.	PART NUMBER	CABINET ASSEMBLY	DESCRIPTION
45	4223023	1	LEFT SIDE PANEL
46	4223026	1	RIGHT SIDE PANEL
47	(SEE PAGE # 11)	1	I-VEND ASSEMBLY
48	4223033	1	PRODUCT DEFLECTOR
49	4223028.000330	1	FALSE DELIVERY BOX
50	4223031	1	DEFLECTOR DELIVERY FLOOR
51	1219250.000330	1	SCREEN FRAME WELD
52	8324099.2	3	P-CLAMP - 1/4
53	4221277	1	AIR DEFLECTOR
54	4223021.000330	1	HINGE SIDE EXTENSION
55	4210421.002	10	1/4" RIVET-BLK AL/AL
56	(SEE PAGE # 12)	1	TRAY ASSEMBLY – 5 SELECT
57	(SEE PAGE # 13)	1	TRAY ASSEMBLY – 6 SELECT
58	(SEE PAGE # 14)	1	TRAY ASSEMBLY – 9 SELECT
59	(SEE PAGE # 15)	1	TRAY ASSEMBLY – CAN/BOTTLE (SELECTION 40)
60	(SEE PAGE # 16)	1	HC TRAY ASSEMBLY
61	(SEE PAGE # 17)	1	TRAY ASSEMBLY – CAN/BOTTLE (SELECTION 50)
62	4221366.000330	1	TRAY BARRIER
63	4216381	3	ROLLER SLIDE
64	4216381.001	3	ROLLER SLIDE
65	8800763	12	#8-32X5/16 PHIL PH TYPE 23
66	4050239	14	#8-32X3/8 PHL PH TYPE 23
67	1219246	1	INNER DOOR ASSEMBLY (SEE PAGE # 18)
68	1219439.000330	1	INNER DOOR HINGE - LOWER
69	1219438.000330	1	INNER DOOR HINGE - UPPER
70	4222003.000330	1	BOTTOM INNER DOOR HINGE COVER
71	4203029	3	WASHER-INNER DOOR
LIST OF PARTS NOT SHOWN			
72	4223024	1	MAIN HARNESS
73	4219270.089	1	TRAY RELEASE DECALS
74	4223368	6	TRAY HARNESS SPLIT BUSHING

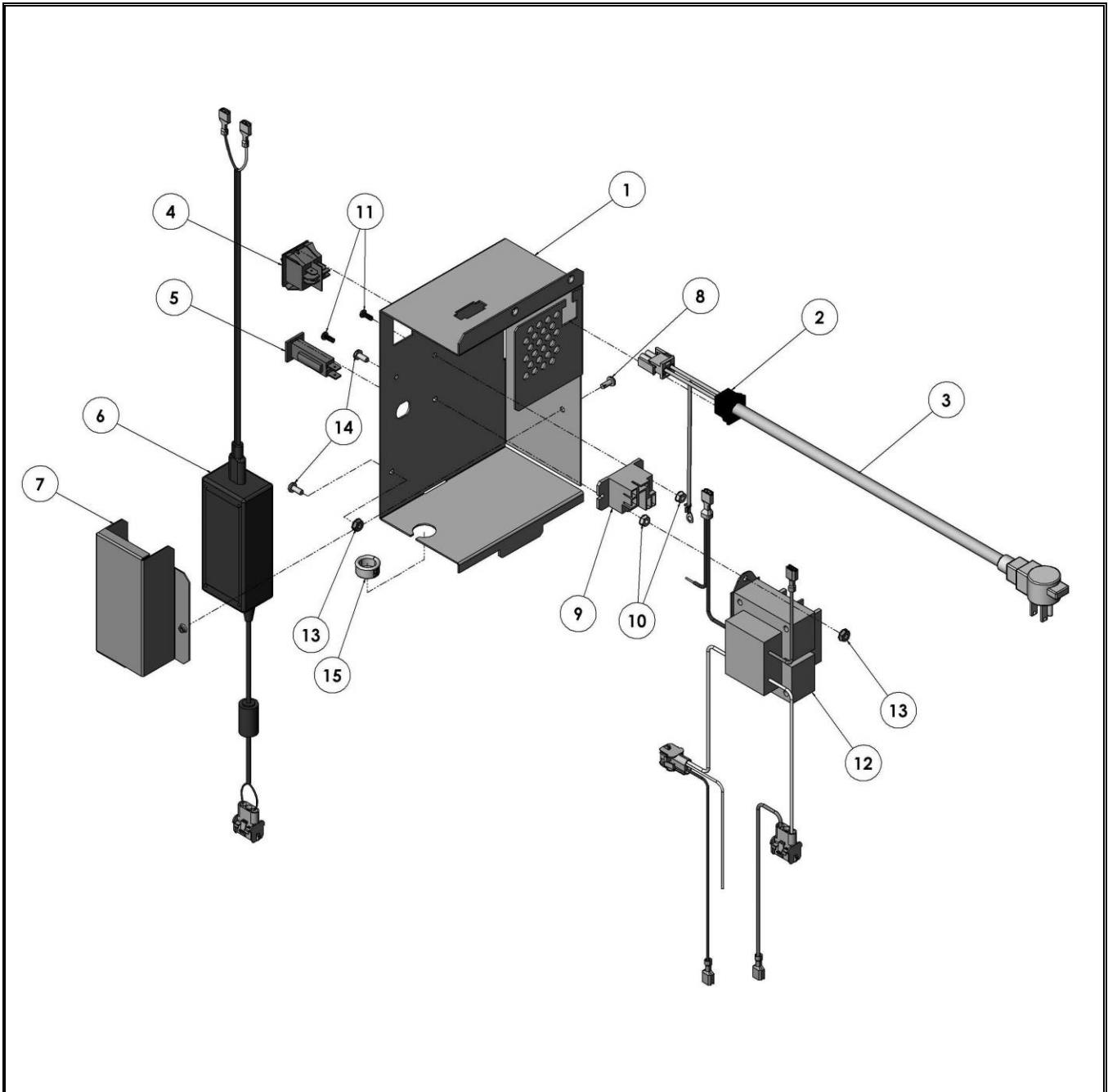
CABINET SUB – ASSEMBLY



CABINET SUB - ASSEMBLY PARTS LIST

ITEM NO.	PART NUMBER	CAB SUB-ASSY	DESCRIPTION
1	1219243	1	CABINET WELD
2	1214704.001	4	LEG ASSEMBLY (6")
3	8801388	16	5/16-18X3/4 HWH TYPE 23

POWER BOX ASSEMBLY



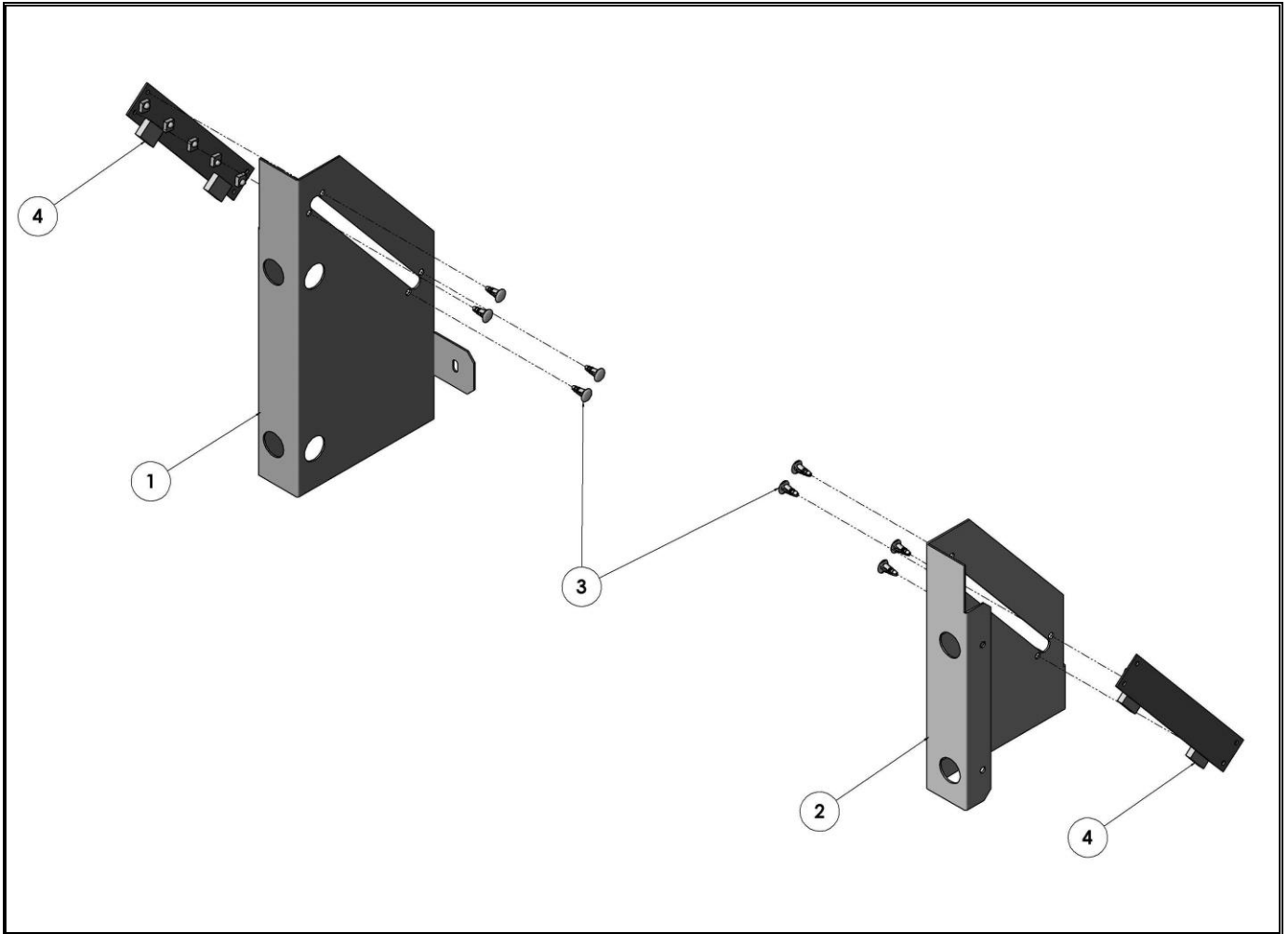
POWER BOX ASSEMBLY PARTS LIST

ITEM NO.	PART NUMBER	1219271	DESCRIPTION
1	4223071	1	POWER BOX
2	4222289	1	STRAIN RELIEF BUSHING
3	4217764	1	POWER CORD N. AMERICA
4	4213627	1	SWITCH-DOUBLE POLE
5	4203467.003	1	3 AMP CIRCUIT BREAKER
6	§ 4219620	1	POWER SUPPLY
7	§§ 4223072	1	BRACKET - POWER SUPPLY
8	4050239	1	#8-32X3/8 PHL PH TYPE 23
9	4216013	1	MINI-RELAY,SPST,24VDC
10	8800955	2	#6-32 HEX NUT W/ETW
11	8800060	2	#6-32X3/8 PHIL PH MS
12	4216297	1	TRANSFORMER 110V
13	8800956	2	#8-32 HEX NUT W/ETW
14	4050240	2	#8-32X3/8 PHIL PH MS
15	4223157	1	HEYCO SPLIT BUSHING
LIST OF PARTS NOT SHOWN			
16	4223270	1	POWER SUPPLY JUMPER
17	4221538	1	REFRIGERATION POWER HARNESS
18	4221539	1	TEMP SENSOR RELAY HARNESS
19	4217477	1	.250 TERMINAL AMP 3-52010
20	4217713	1	.250 TERMINAL AMP 2-52010
21	4033704	2	CABLE TIE

§ - ORDER POWER SUPPLY # 4223991 FOR MACHINES WITH SERIAL # 1368647 & ABOVE

§§ - ORDER POWER SUPPLY BRACKET # 4223990 FOR MACHINES WITH SERIAL # 1368647 & ABOVE

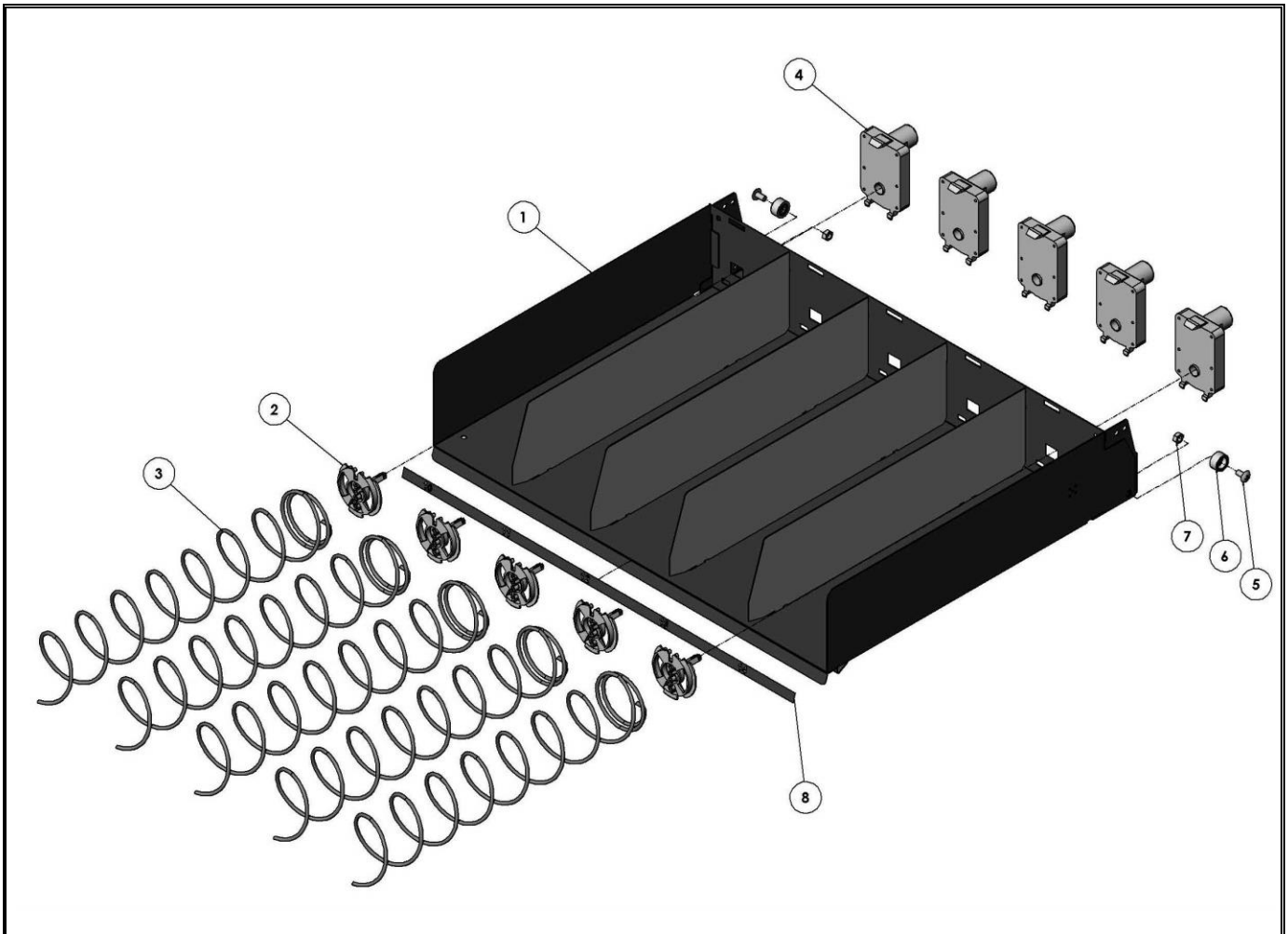
I-VEND ASSEMBLY



I-VEND ASSEMBLY PARTS LIST

ITEM NO.	PART NUMBER	I-VEND ASSY	DESCRIPTION
1	4223022.000330	1	LEFT I-VEND PANEL
2	4223025.000330	1	RIGHT I-VEND PANEL
3	4220025	8	RICHCO - STANDOFFS
4	4212464.021	1	I-VEND SENSOR/FUTURA/H4U/3589 (PARTIALLY SHOWN)

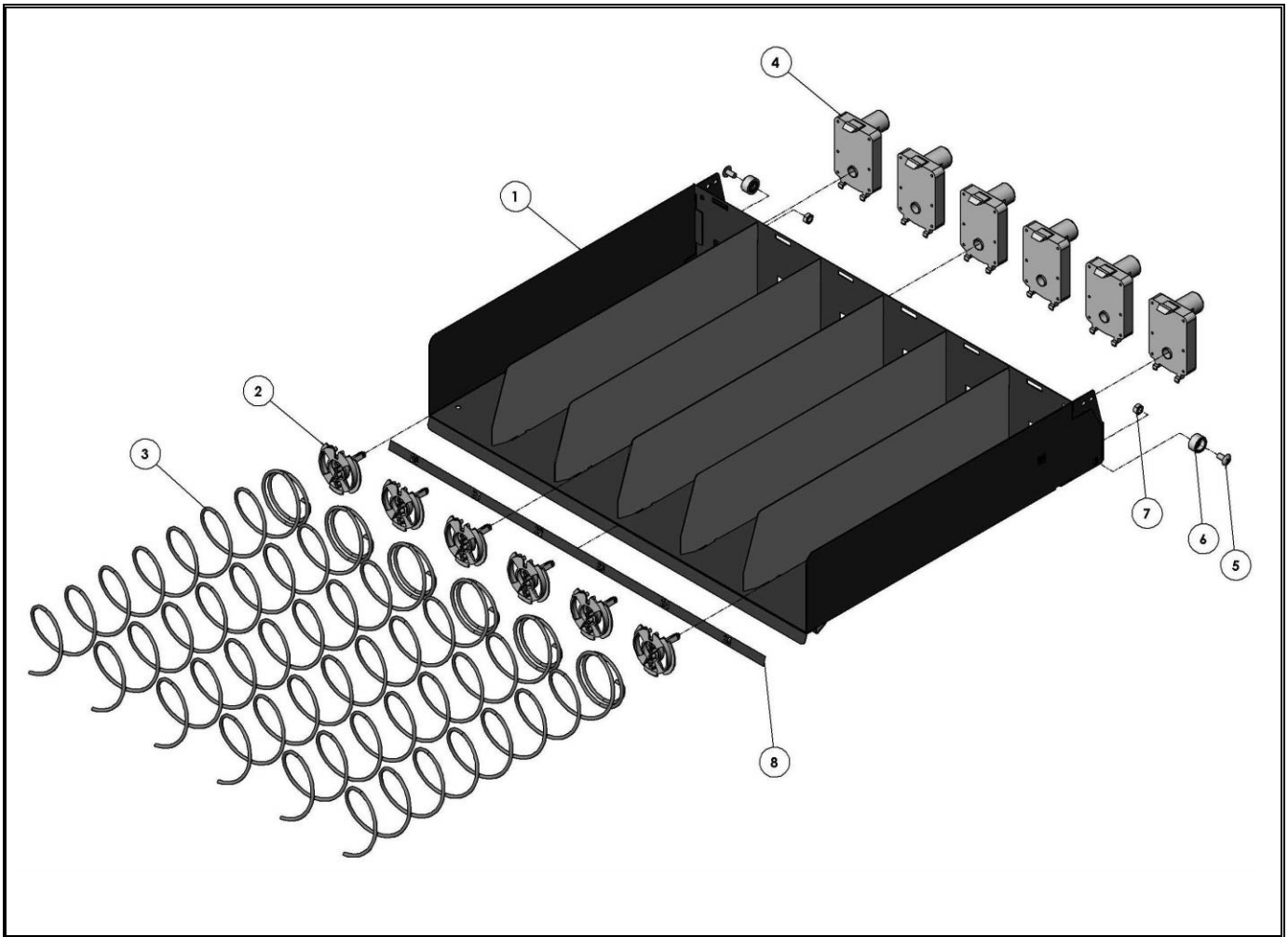
TRAY ASSEMBLY – 5 SELECT



TRAY ASSEMBLY- 5 SELECT PARTS LIST

ITEM NO.	PART NUMBER	TRAY ASSY – 5 SELECT	DESCRIPTION
1	1217801.000330	1	TRAY WELD - 5 SELECT
2	4216378	5	SPIRAL ADAPTER
3	4200272.119309	5	AUGER 8 SNK/SHRT/BLK
4	4216379.004	5	MOTOR SNAP-IN 360 DEG
5	7200469.014	2	1/4-20X1/2 PHIL RH MS
6	4217738	2	BUSHING
7	4050496	2	1/4-20 TWO WAY LOCK NUT
8	4218703.001	1	TRAY LABEL (5 SEL) (10-14)
LIST OF PARTS NOT SHOWN			
9	4203508.003	1	TRAY HARNESS (3W)
10	4033712	1	CABLE TIE

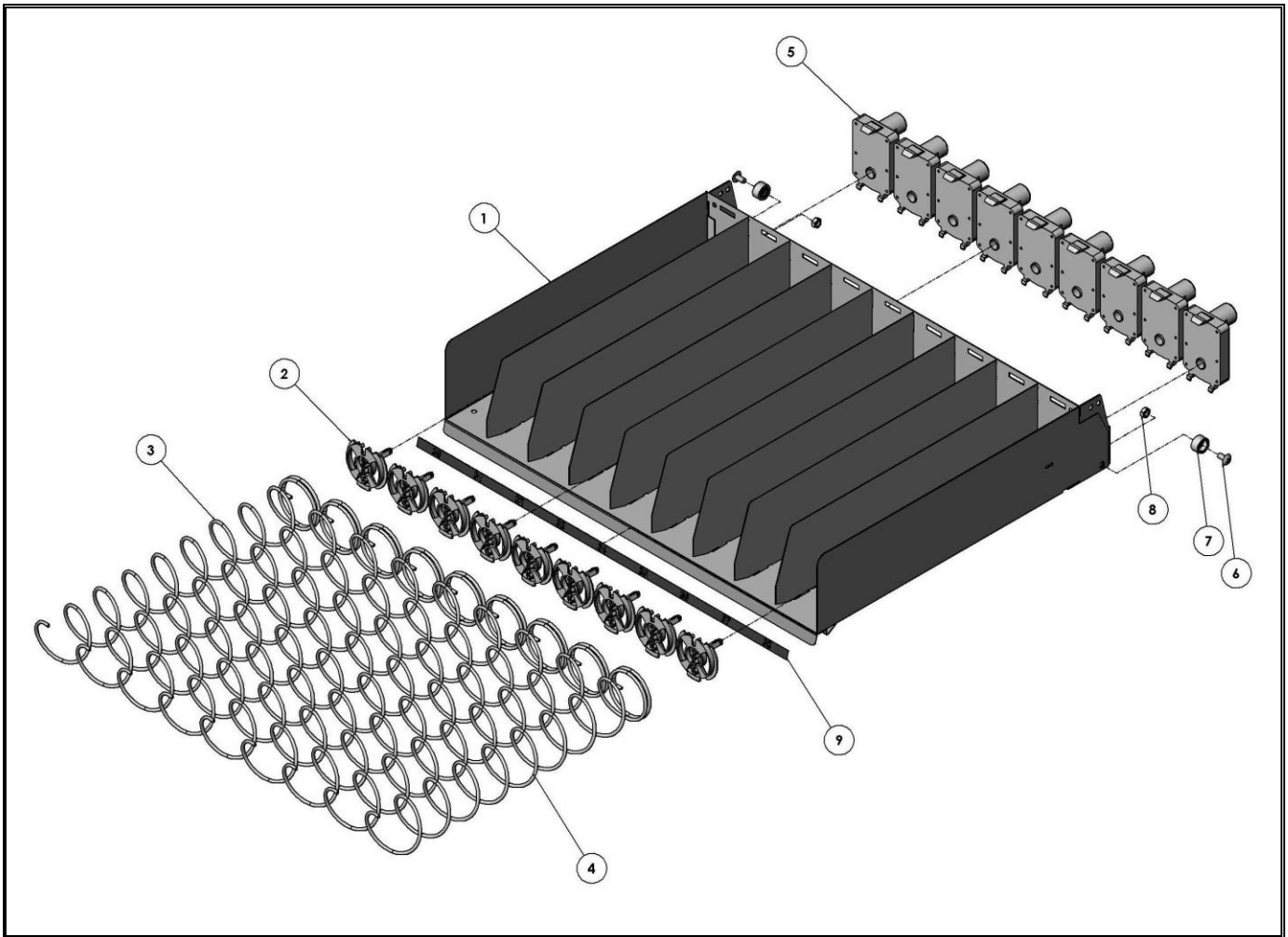
TRAY ASSEMBLY – 6 SELECT



TRAY ASSEMBLY- 6 SELECT PARTS LIST

ITEM NO.	PART NUMBER	TRAY ASSY – 6 SELECT	DESCRIPTION
1	1217801.003330	1	TRAY WELD - 6 SELECT
2	4216378	6	SPIRAL ADAPTER
3	4200272.115309	6	AUGER 9 SNK/SHRT/BLK
4	4216379.004	6	MOTOR SNAP-IN 360 DEG
5	7200469.014	2	1/4-20X1/2 PHIL RH MS
6	4217738	2	BUSHING
7	4050496	2	1/4-20 TWO WAY LOCK NUT
8	4221340.002	1	TRAY LABEL (6 SEL) (20-25)
LIST OF PARTS NOT SHOWN			
9	4203508.003	1	TRAY HARNESS (3W)
10	4033712	1	CABLE TIE

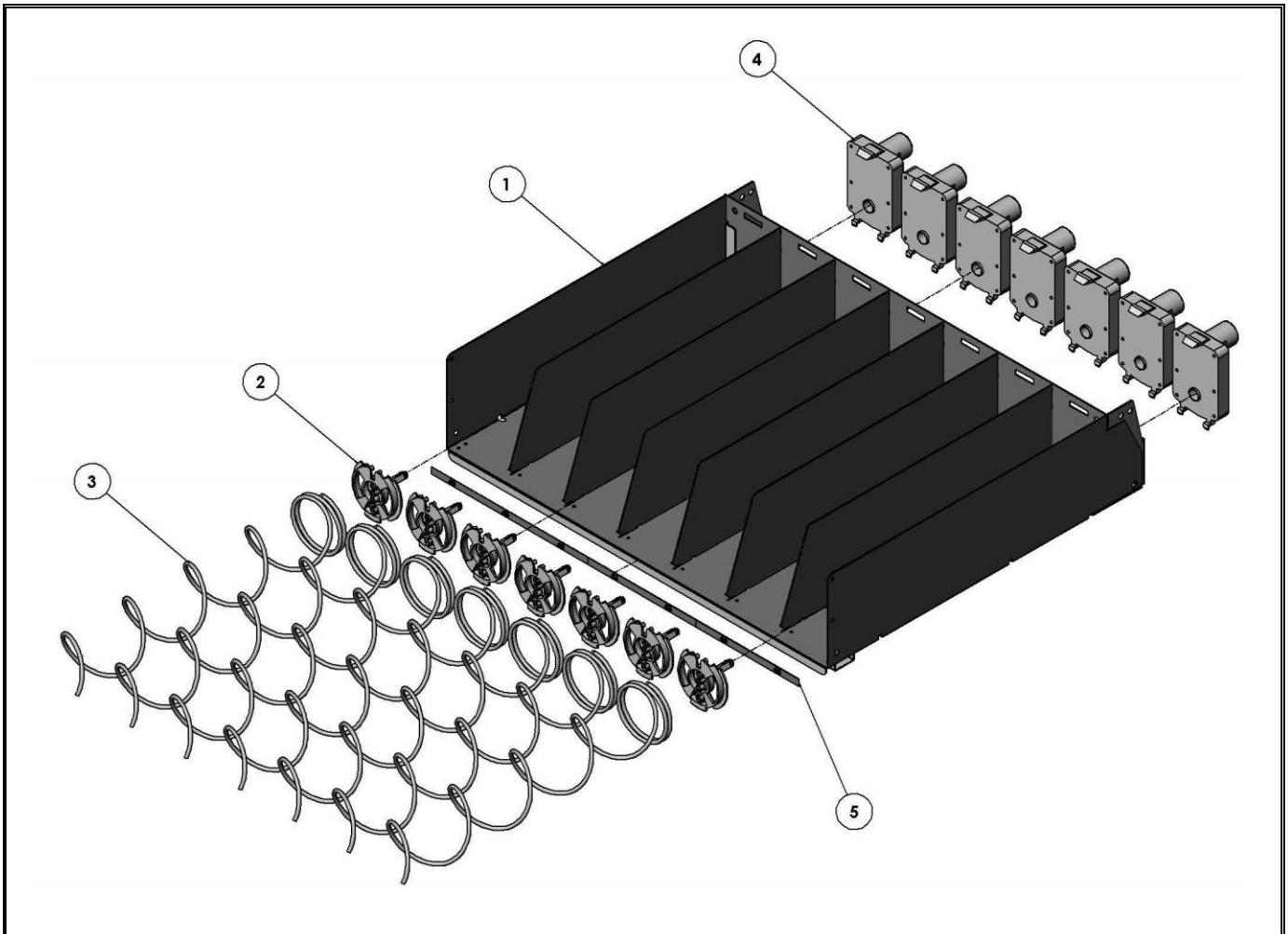
TRAY ASSEMBLY – 9 SELECT



TRAY ASSEMBLY- 9 SELECT PARTS LIST

ITEM NO.	PART NUMBER	TRAY ASSY – 9 SELECT	DESCRIPTION
1	1217801.001330	1	TRAY WELD - 9 SELECT
2	4216378	9	SPIRAL ADAPTER
3	4200272.116309	6	AUGER 13 CNDY/SHRT/BLK
4	4211397.004309	3	AUGER 15CT CNDY/CCW/BLK
5	4216379.004	9	MOTOR SNAP-IN 360 DEG
6	7200469.014	2	1/4-20X1/2 PHIL RH MS
7	4217738	2	BUSHING
8	4050496	2	1/4-20 TWO WAY LOCK NUT
9	4218702	1	TRAY LABEL(9 SEL) (30-38)
LIST OF PARTS NOT SHOWN			
10	4203508.005	1	TRAY HARNESS (5W)
11	4033712	1	CABLE TIE

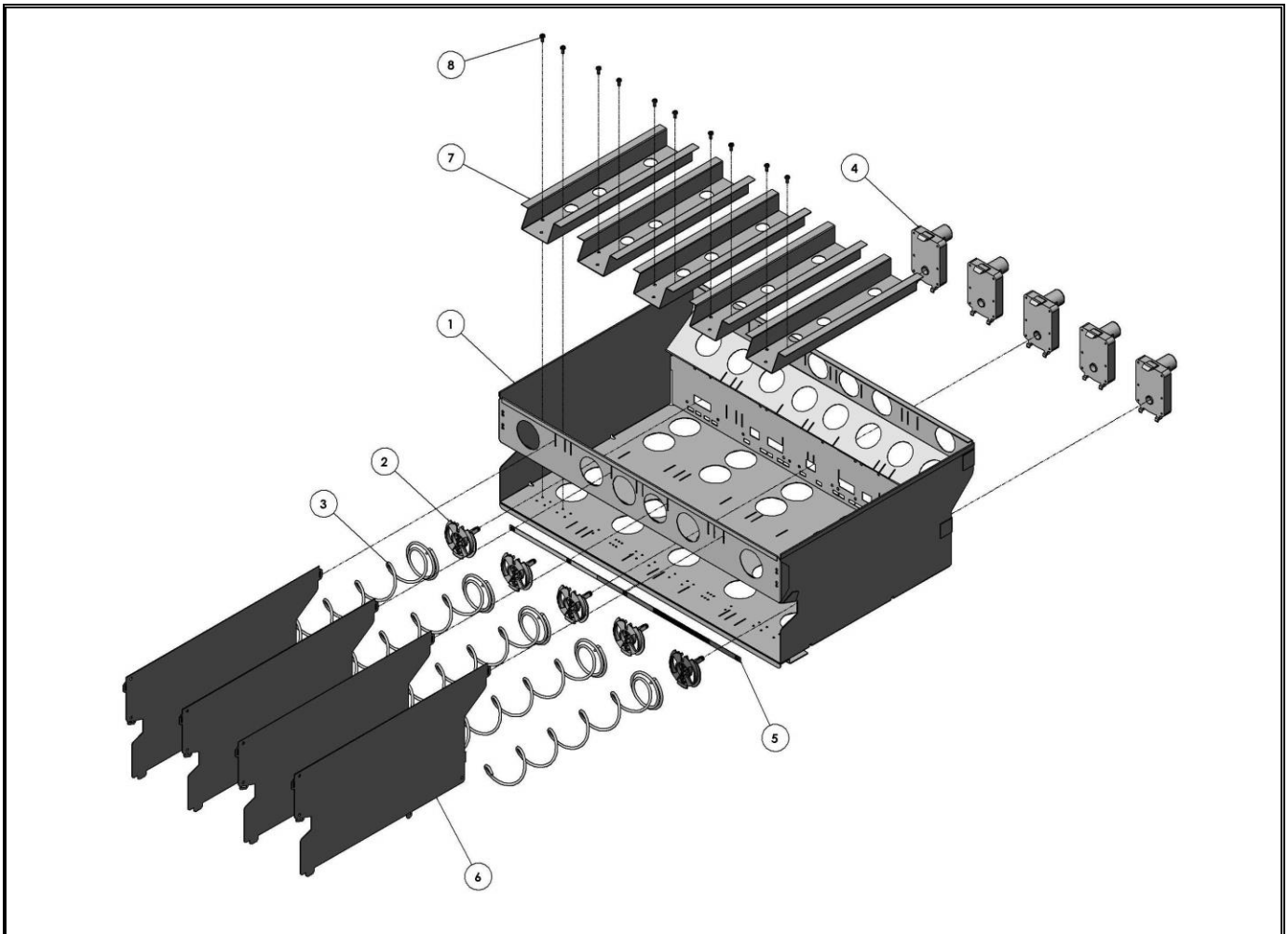
TRAY ASSEMBLY – CAN/BOTTLE (SELECTION 40)



TRAY ASSEMBLY- CAN/BOTTLE (SELECTION 40) PARTS LIST

ITEM NO.	PART NUMBER	TRAY ASSY – CAN/BOTTLE	DESCRIPTION
1	1219394.000330	1	TRAY WELD
2	4216378	7	SPIRAL ADAPTER
3	4217851.000309	7	SPIRAL
4	4216379.004	7	MOTOR SNAP-IN 360 DEG
5	4218199.005	1	BOTTLE TRAY LABEL(40/43/45)
LIST OF PARTS NOT SHOWN			
6	4223272	1	FUTURA/H4U BOTTLE TRAY HARNESS
7	4033712	1	CABLE TIE

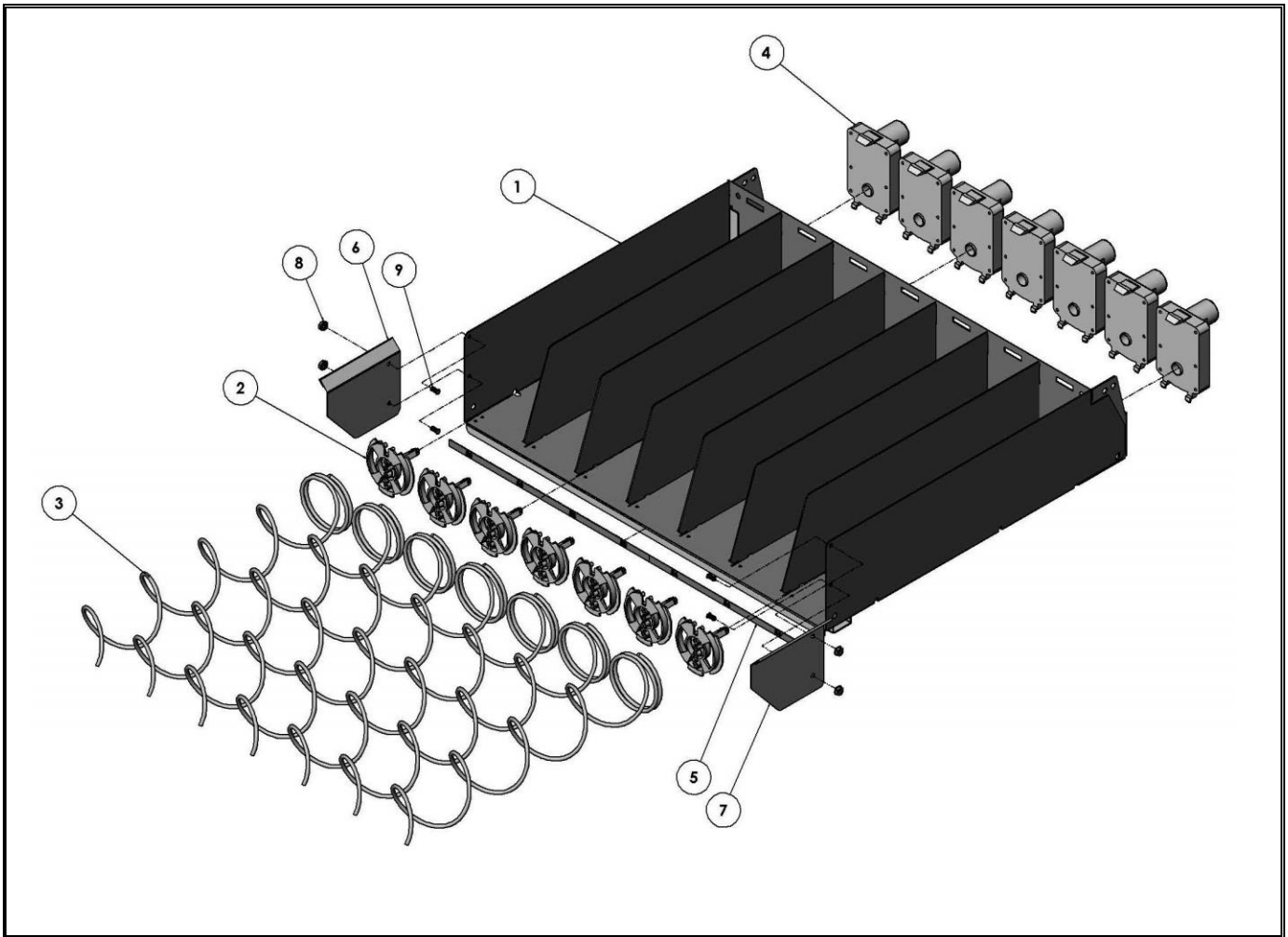
HC TRAY ASSEMBLY



HC TRAY ASSEMBLY PARTS LIST

ITEM NO.	PART NUMBER	HC TRAY ASSY	DESCRIPTION
1	1218729.000330	1	HC TRAY WELD
2	4216378	5	SPIRAL ADAPTER
3	4217849.000309	5	SPIRAL
4	4216379.004	5	MOTOR SNAP-IN 360 DEG
5	4218200.001	1	HCT TRAY LABEL - FUTURA
6	4221094.000330	4	HCT DIVIDER
7	4217850.000330	5	SPIRAL RETAINER
8	4050239	10	#8-32X3/8 PHL PH TYPE 23
LIST OF PARTS NOT SHOWN			
9	4203508.003	1	TRAY HARNESS (3W)
10	4033712	1	CABLE TIE

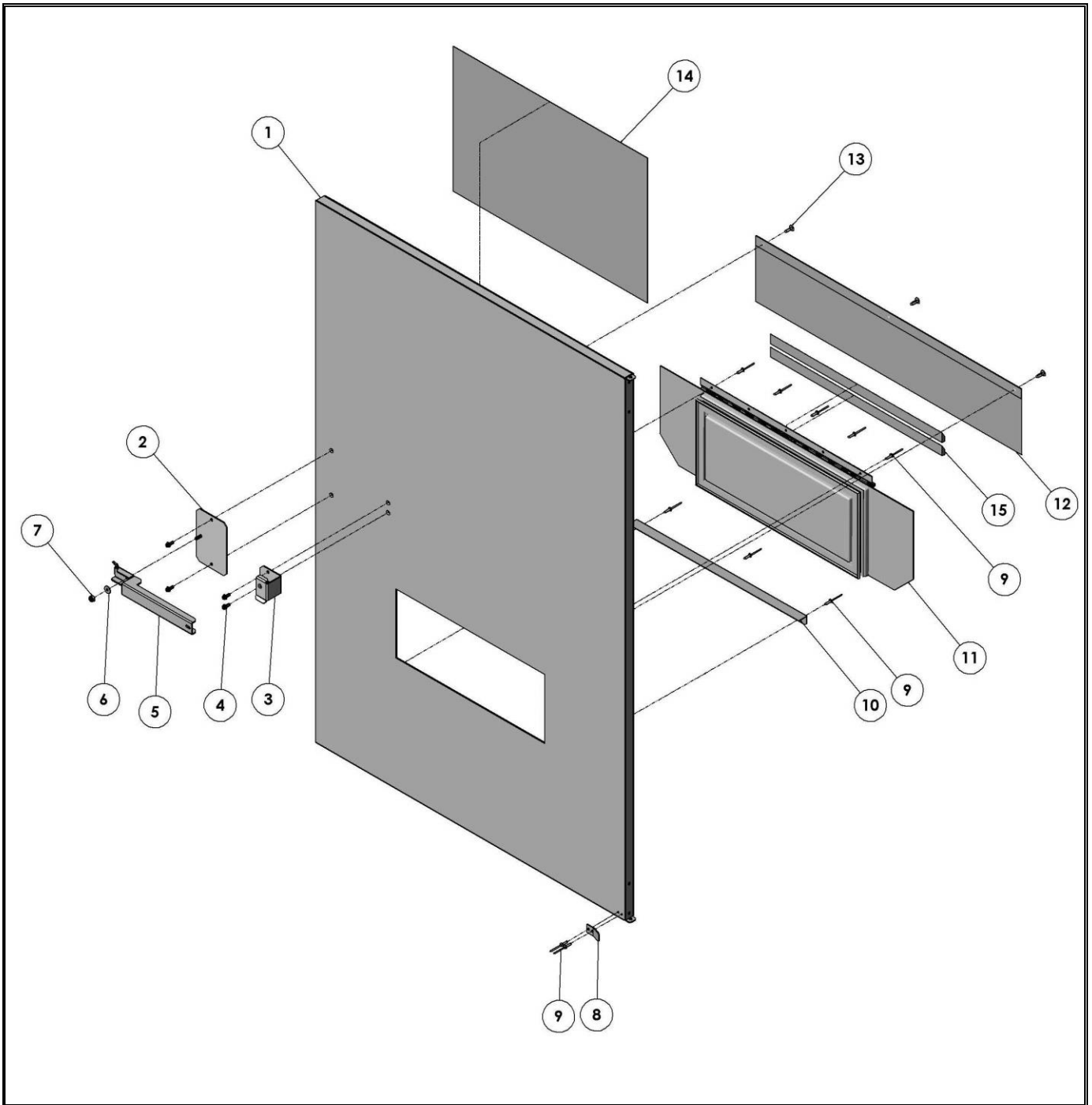
TRAY ASSEMBLY – CAN/BOTTLE (SELECTION 50)



TRAY ASSEMBLY- CAN/BOTTLE (SELECTION 50) PARTS LIST

ITEM NO.	PART NUMBER	TRAY ASSY – CAN/BOTTLE	DESCRIPTION
1	1219394.000330	1	TRAY WELD
2	4216378	7	SPIRAL ADAPTER
3	4217851.000309	7	SPIRAL
4	4216379.004	7	MOTOR SNAP-IN 360 DEG
5	4218199.001	1	BOTTLE TRAY LABEL(50&54)
6	4223077.000330	1	TRAY PRODUCT DEFLECTOR
7	4223077.001330	1	TRAY PRODUCT DEFLECTOR
8	8800956	4	#8-32 HEX NUT W/ETW
9	4203386.042	4	#8-32X3/8 CAPT. STUD
LIST OF PARTS NOT SHOWN			
10	4223272	1	FUTURA/H4U BOTTLE TRAY HARNESS
11	4033712	1	CABLE TIE

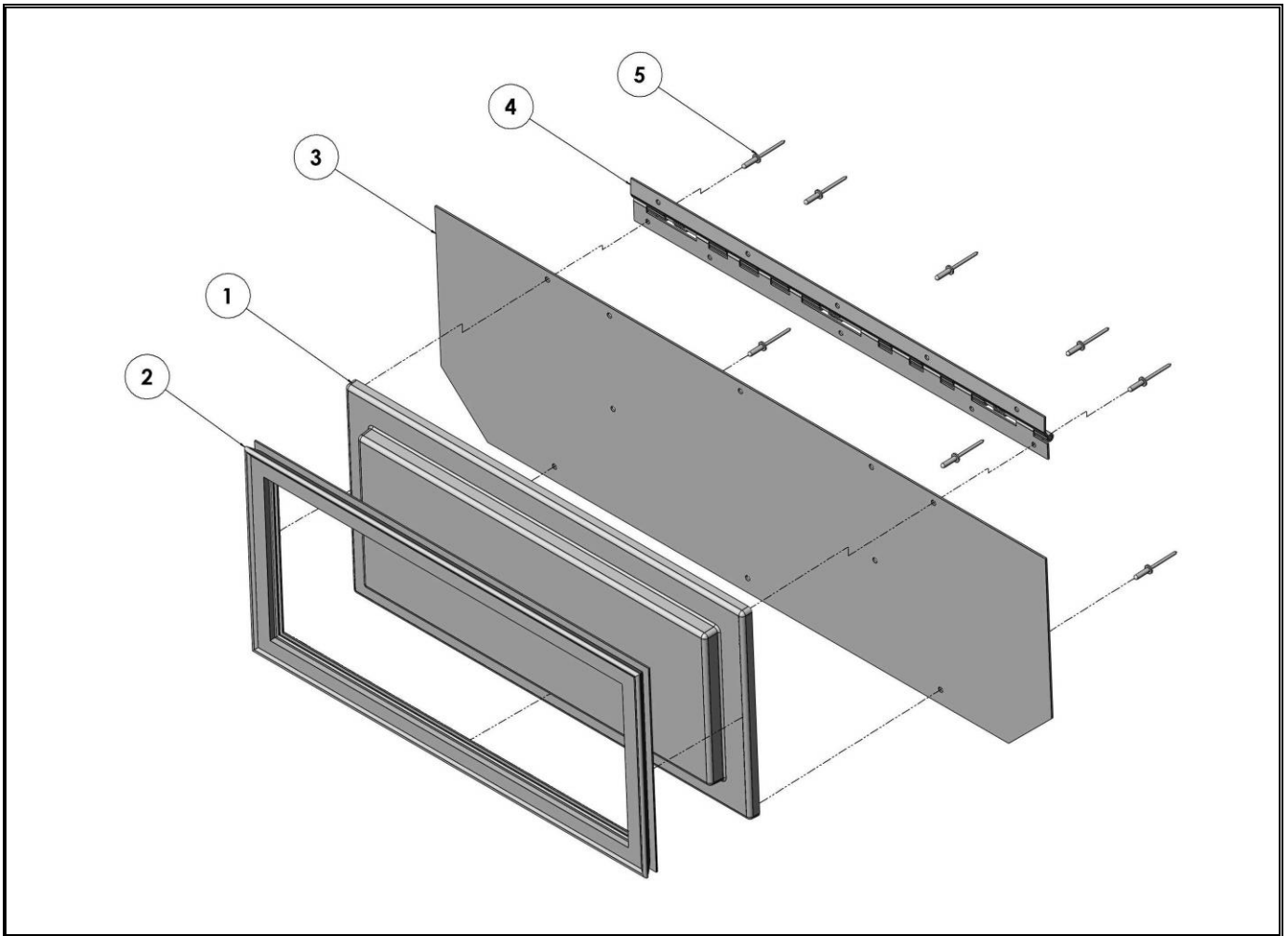
INNER DOOR ASSEMBLY



INNER DOOR ASSEMBLY PARTS LIST

ITEM NO.	PART NUMBER	1219246	DESCRIPTION
1	1219245	1	INNER DOOR FOAM ASSEMBLY
2	4223634.001330	1	BACK PLATE - INNER DOOR
3	4223156.000330	1	DOOR HANDLE STOP
4	4223541	4	#8-32 X 3/8 HWH TYPE 23
5	4223120.001951	1	LATCH HANDLE
6	4030100	1	BUSHING-SPACER
7	4210384	1	#8-32 NYLOK NUT
8	4221426.000330	1	BOTTOM HINGE FILLER
9	4050667.001	10	1/8X .125 POP RIVET
10	4218403.000330	1	DELIVERY COVER BRACKET
11	1219258	1	DELIVERY DOOR ASSY (SEE PAGE #20)
12	4218996	1	HINGE COVER
13	4205329	3	ARROW CLIP
14	4223599	1	INSTRUCTION LABEL - FUTURA
15	4211555	2.5 FT	BEVELED FOAM GASKET 3/4
LIST OF PARTS NOT SHOWN			
16	4208565	2 FT	DOUBLE SIDED TAPE .750
17	4209845	3.5 FT	PROTECTIVE WNDW SEAL 1/2"

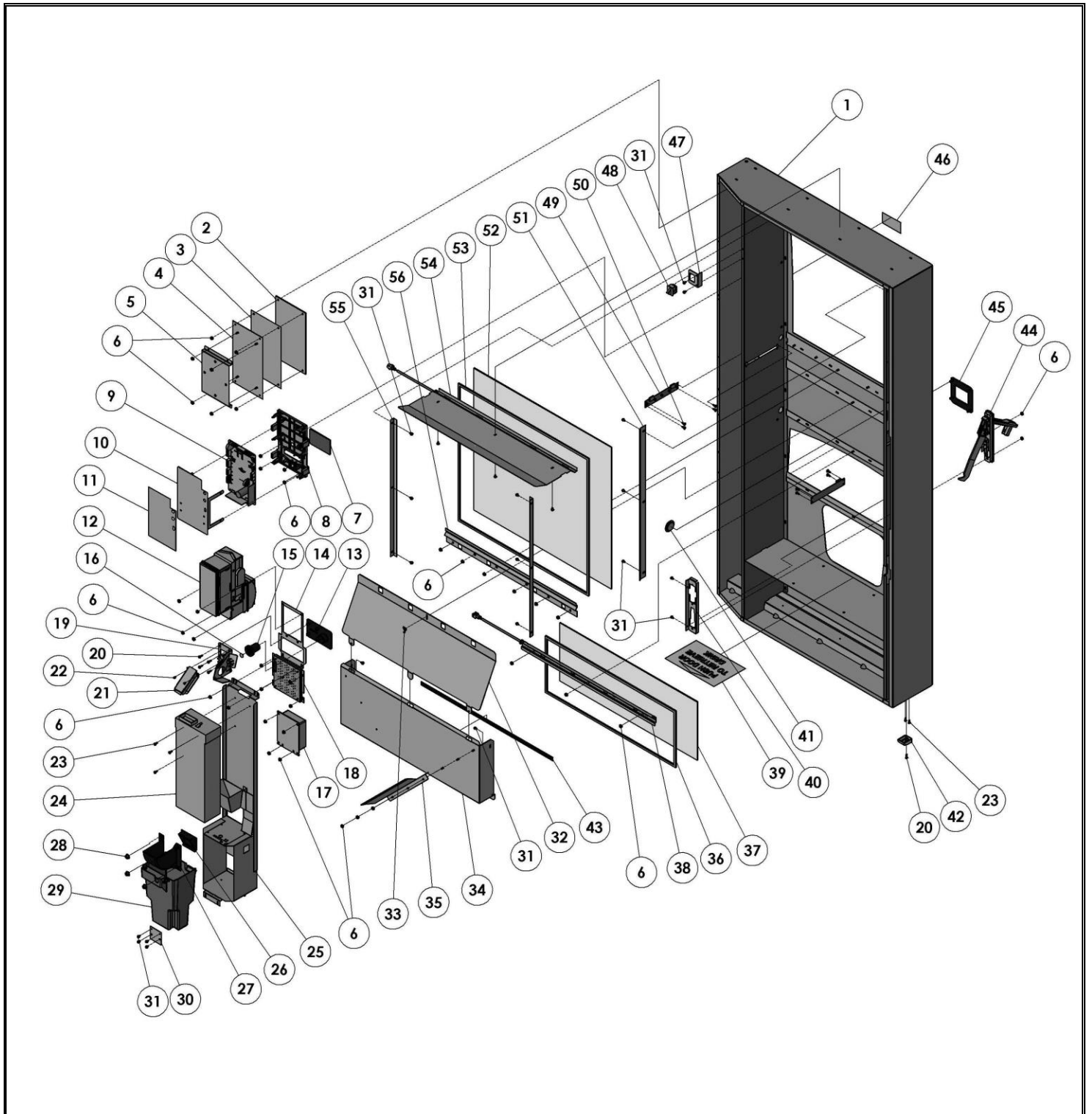
DELIVERY DOOR ASSEMBLY



DELIVERY DOOR ASSEMBLY PARTS LIST

ITEM NO.	PART NUMBER	1219258	DESCRIPTION
1	1217935	1	DELIVERY DOOR FOAM ASSY
2	4217184.001	1	DELIVERY DOOR GASKET
3	4223173.000330	1	DELIVERY DOOR BACK
4	4222972	1	SPRING HINGE
5	4050667.001	8	1/8X .125 POP RIVET

DOOR ASSEMBLY



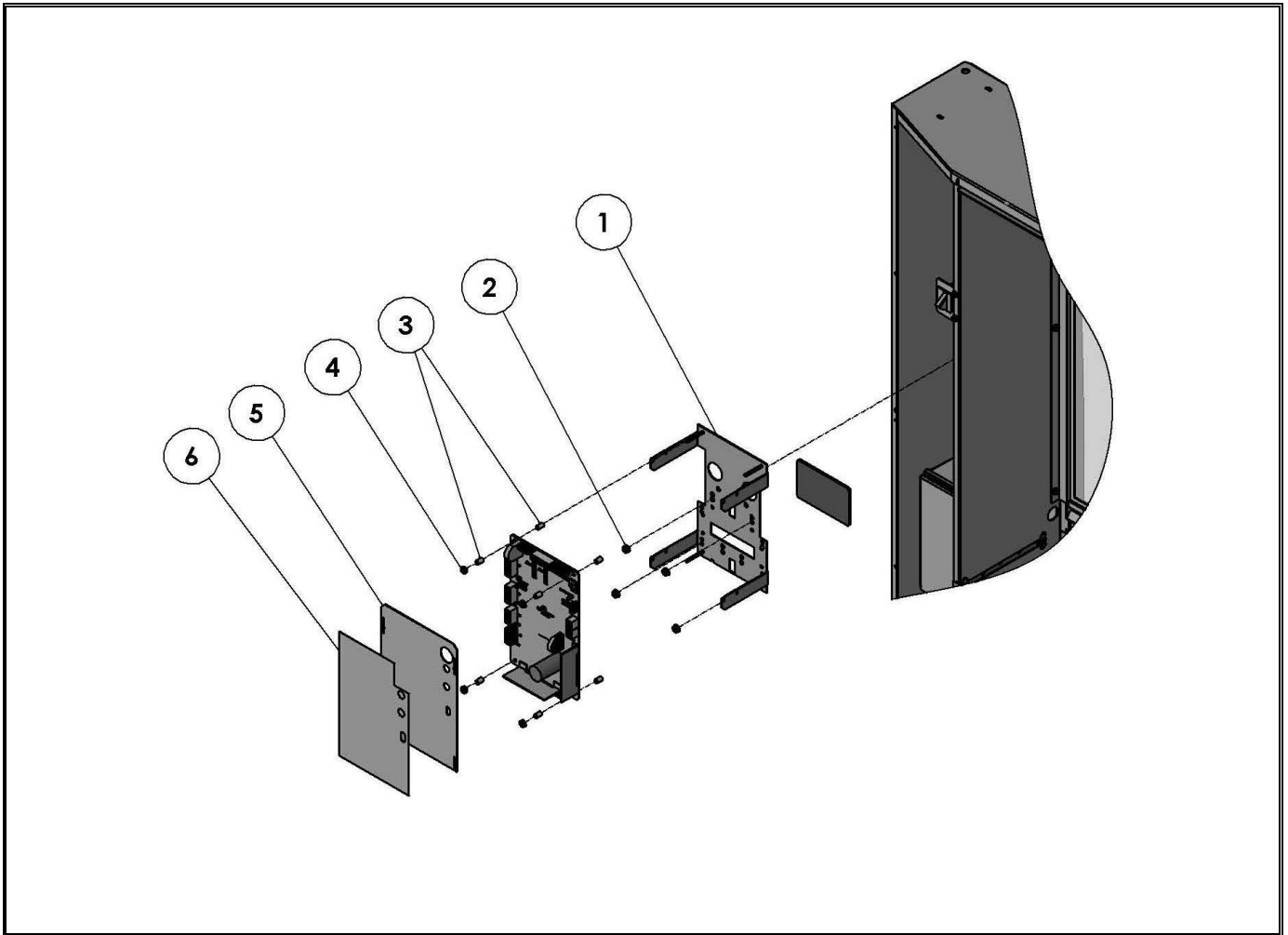
DOOR ASSEMBLY PARTS LIST

ITEM NO.	PART NUMBER	DOOR ASSEMBLY	DESCRIPTION
1	1219410.000330	1	DOOR WELD
2	4223065	1	ACRYLIC POP WINDOW
3	4223066.001	1	POP PRINT (FUTURA)
4	4223062.001330	1	POP DISPLAY BACK
5	4223063.000330	1	EPORT MOUNT BRACKET (OPTIONAL – FOR CARD READER)
6	8800956	40	#8-32 HEX NUT W/ETW
7	4202841.017	1	READOUT WINDOW/BLUE/ENGLISH
8	§ 4222728	1	CONTROL BOARD MOUNT
9	4213952.004	1	GVC1/BLUE/CONTROL BOARD
10	§ 4222729.000330	1	CONTROL BOARD COVER
11	4216031.004	1	SERVICE MODEL LABEL
12	4205536.265	1	BILL VALIDATOR - CONLUX CV1022-U5M
13	4203186.004	1	COIN INSERT BLK
14	4210954.000330	1	INSERT MOUNT/BLK
15	4203187	1	COIN RETURN BUTTON/BLK
16	4209188	1	SNAP PIN
17	CARD READER	1	CARD READER (OPTIONAL)
18	1216670.002	1	KEYPAD ASSEMBLY W/O LED
19	1217987	1	COIN RETURN LEVER MECHANISM
20	8800636	5	#8-18X1/2 PHIL PH TYPE-B
21	1217787.000950	1	COIN CHUTE
22	4201942	2	#6-20X3/16 PHL PH TYPE B
23	4050239	5	#8-32X3/8 PHL PH TYPE 23
24	4206699.172	1	COIN MECH - CONLUX MDB MCM5-4
25	1216638.000330	1	COIN MECH MOUNT/BLK
26	4203208	1	COIN CUP DOOR/BLK
27	4203207	1	COIN CUP/BLACK
28	4050747	4	1/4 STAMPED HEX NUT
29	4216287	1	COIN BOX
30	4218096	1	COIN MECH MOUNT BRACKET
31	4050420.001	22	#8-18X1/4 PHIL HWH/BLK
32	4223492.000330	1	DISPLAY COVER
33	4050514	1	#8-32 WING NUT
34	4223491.001330	1	DISPLAY SHELF
35	4223539.000330	1	DEFLECTOR PANEL
36	4209025.014	1	GASKET
37	4217810.001	1	LIVE DISPLAY WINDOW
38	1219270	1	LED ASSEMBLY – DISPLAY (SEE PAGE # 25)
39	4218264	1	DELIVERY PORT DECAL
40	4218253.001	1	HANDLE BRACE W/STUDS
41	7250135.010	1	HOLE PLUG 1-1/4
42	4025610.001	1	DOOR GLIDE (1/2)
43	4223067	1	BEVERAGE SELECTION LABEL
44	4219968.001	1	DOOR HANDLE ASSEMBLY

ITEM NO.	PART NUMBER	DOOR ASSEMBLY	DESCRIPTION
45	4203209	1	COIN CUP BEZEL/BLK
46	4218265	1	SELECTION INSTRUCTIONS
47	4223068.000330	1	DOOR SWITCH MOUNT
48	4212621	1	SWITCH
49	4212464.021	1	I-VEND SENSOR/FUTURA/H4U/3589 (PARTIALLY SHOWN)
50	4220025	8	RICHCO - STANDOFFS
51	4223064.000330	1	LEFT DOOR PARTITION
52	4217808.002	1	WINDOW
53	4209025.017	1	GASKET - GLASS
54	1219268	1	LED ASSEMBLY – TOP (SEE PAGE # 26)
55	4223060.000330	2	SIDE WINDOW RETAINER
56	4223061.000330	1	BOTTOM WINDOW RETAINER
LIST OF PARTS NOT SHOWN			
57	4216099.002	1	KEYPAD CABLE
58	4216308	1	DOOR SWITCH HARNESS
59	4223123	1	LED LIGHT HARNESS
60	4223124	1	VEND SENSOR JUMPER
61	4214278	1	DEX HARNESS (OPTIONAL)
62	8361468	1	SPRING BAR RETAINER
63	4223278	17 FT	GASKET - MAIN DOOR
64	4060330	1	LOCK CYL W/2 KEYS

**§ - CONTROL BOARD MOUNT REPLACEMENT PARTS -
FOR MACHINES WITH SERIAL NUMBER **XXXXX** AND LOWER, PLEASE SEE [PAGE # 24](#)
FOR DETAILS.**

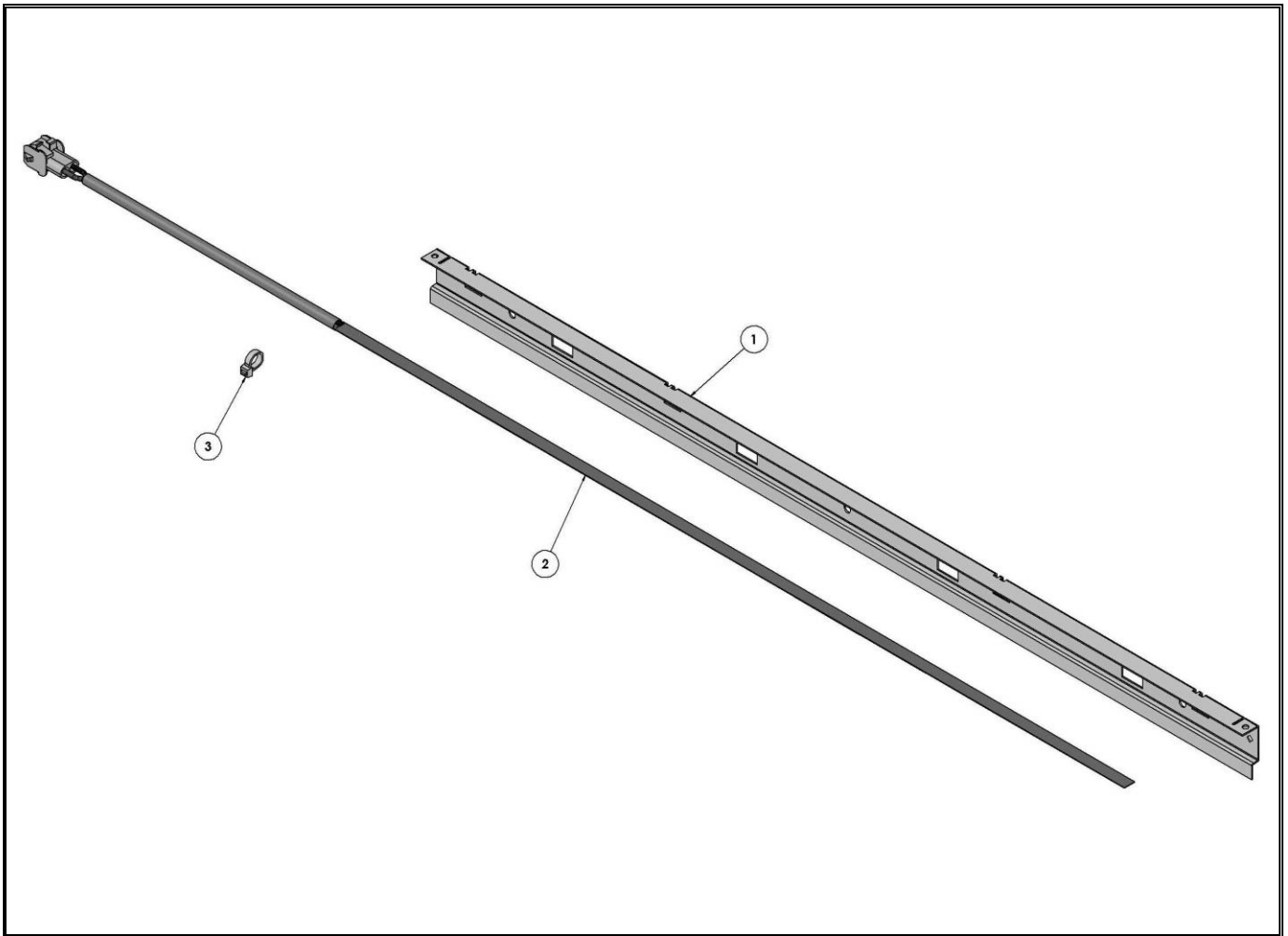
CONTROL BOARD MOUNT REPLACEMENT PARTS (FOR MACHINES WITH S/N **XXXXX** & LOWER)



CONTROL BOARD MOUNT PARTS LIST

ITEM NO.	PART NUMBER	QTY	DESCRIPTION
1	4216656.001330	1	DISPLAY MOUNT W/STUDS
2	8800956	4	#8-32 HEX NUT W/ETW
3	4216687.500	8	TUBULAR SPACER 1/2"
4	4209866	4	#6-32 NYLON NUT
5	4216657.000330	1	CONTROL BOARD COVER
6	4216031.004	1	SERVICE MODEL LABEL

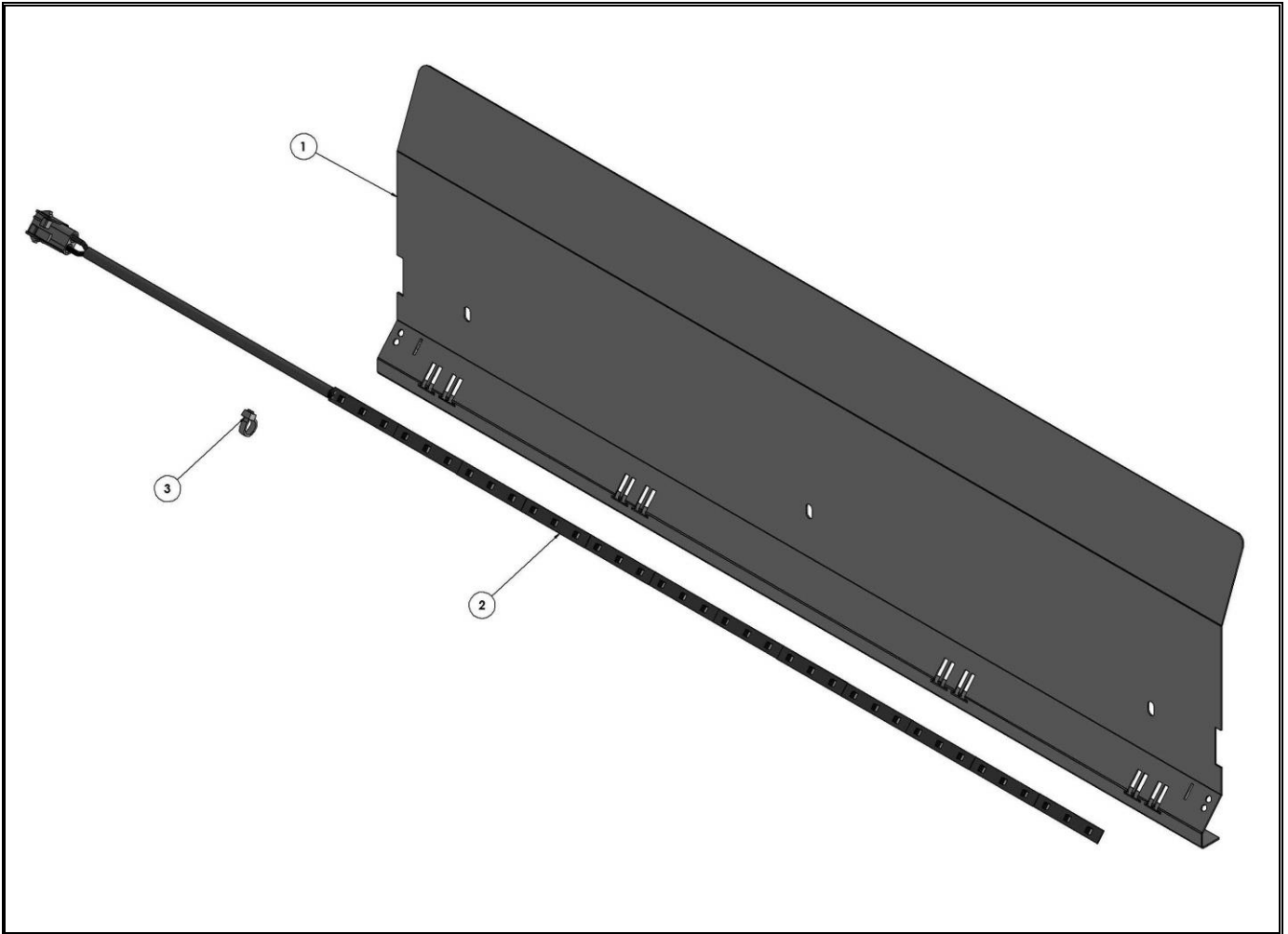
LED ASSEMBLY - DISPLAY



LED ASSEMBLY - DISPLAY PARTS LIST

ITEM NO.	PART NUMBER	1219270	DESCRIPTION
1	4223057.000309	1	DISPLAY LED MOUNT
2	4223058	1	TERMINATED LED – FUTURA/H4U
3	4033704	1	CABLE TIE

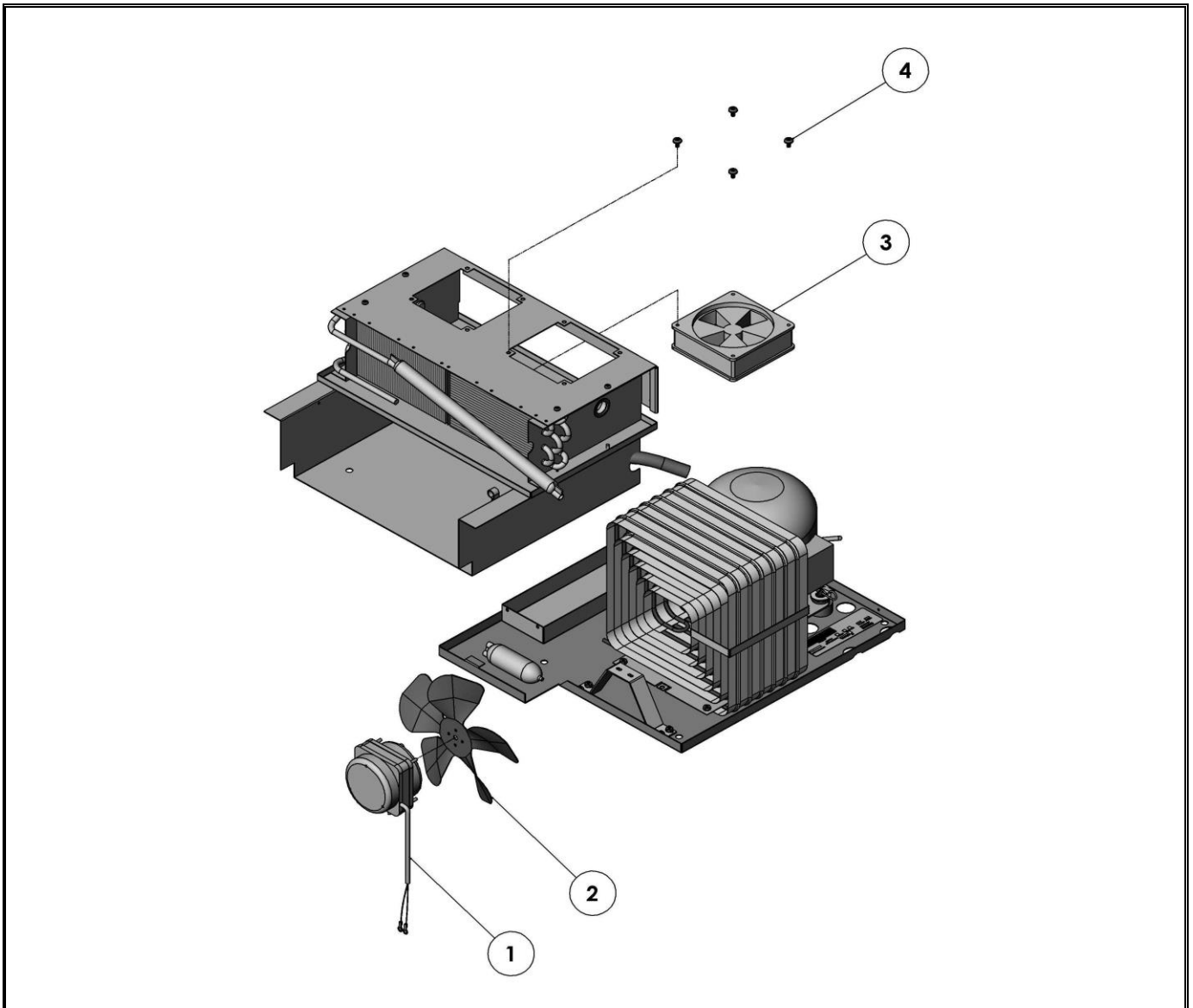
LED ASSEMBLY - TOP



LED ASSEMBLY - TOP PARTS LIST

ITEM NO.	PART NUMBER	1219268	DESCRIPTION
1	4223059.000309	1	TOP WINDOW RETAINER
2	4223058	1	TERMINATED LED – FUTURA/H4U
3	4033704	1	CABLE TIE

REFRIGERATION ASSEMBLY



REFRIGERATION ASSEMBLY PARTS LIST

ITEM NO.	PART NUMBER	1218837	DESCRIPTION
1	4218261	1	CONDENSOR FAN MOTOR
2	4217829	1	CONDENSOR FAN BLADE
3	4034344	1	EVAPORATOR FAN MOTOR
4	8800829	4	#10-24X3/8 PHL W/ETW TYPE-23
START COMPONENTS FOR DANFU COMPRESSOR – PARTS NOT SHOWN			
5	4220475.001	1	RELAY
6	4220476.001	1	OVERLOAD
HARNESS – NOT SHOWN			
7	4221537	1	REFRIGERATION HARNESS

NOTES:

The contents of this publication are presented for informational purposes only, and while every effort has been made to ensure their accuracy, they are not to be construed as warranties or guarantees, express or implied, regarding the products or services described herein or their use or applicability. We reserve the right to modify or improve the designs or specifications of such products at any time without notice.



VendNet™
 165 North 10th Street
 Waukee, Iowa 50263
 United States of America



	USA & Canada	International
Service	(800) 833-4411	(515) 274-3641
Parts	(888) 259-9965	
Email	vendnet@vendnetusa.com	
Web Site	www.vendnetusa.com	